

3M Science.
Applied to Life.™

3M™ Versaflo™ M-300 Helmet

Technical Data Sheet



Description

A lightweight air supplied helmet that provides respiratory, eye, face and head protection when suitably connected to an AS/NZS1716 compliant air supply system.

Features

- Lightweight, with excellent balance
- Fully-adjustable suspension that includes textile straps for optimal fit and weight distribution
- M-300 headtop offers head protection to AS/NZS1801
- Multiple size adjustment options allow for a comfortable fit
- An air deflector allows users to direct the airflow down or into the face for increased control and comfort
- Visor design combines excellent peripheral and downward vision with good optical clarity
- Coated polycarbonate visor provides added chemical and scratch resistance and high impact protection
- QRS (Quick Release Swivel) breathing tubes allow fast and easy snap on/off connection
- Easily removable parts allow simple cleaning, maintenance and replacement
- Most user interface/adjustment points highlighted in blue for convenience
- To suit a wide range of needs, industries and applications, 3M™ Versaflo™ M-Series headtops offer faceseals and shrouds in various fabrics
- Accessories include ear-muffs, peel-off's, various head covers and a chin strap
- A length-adjusting breathing tube is also available
- Many parts are common to all 3M™ Versaflo™ M-Series headtops, meaning reduced inventories and downtime

Applications

There are many workplace applications, including:

- Construction
- Grinding
- Foundries
- Heavy Industry
- Metal Fabrication
- Recycling
- Processing plants



Suitable for use with TR-800 Turbo Unit, TR-300+ Turbo Unit, Jupiter Turbo unit, TR-600 Turbo unit.

*Earmuffs additional accessory not included

Standards

The M-Series headtops meet the performance requirements of Australian Standard AS/NZS 1716:2012:

- when connected to the 3M™ TR-800, TR-600, TR-300+ and Jupiter™ Air Filter Unit.
- when connected to the 3M™ Air Regulating Valve or 3M™ Vortex™ Regulators.

AS/NZS1337.1 compliant high impact eye/face protection.

AS/NZS1801 Type 1 Industrial Safety Helmet.

AS/NZS 1270 when fitted with optional earmuffs.

Operation/Cleaning

Users need to be trained in the safe operation of this equipment. Routine checks must be carried out in accordance with the user instructions. Cleaning should also only be carried out as specified in the user instructions.

Specifications

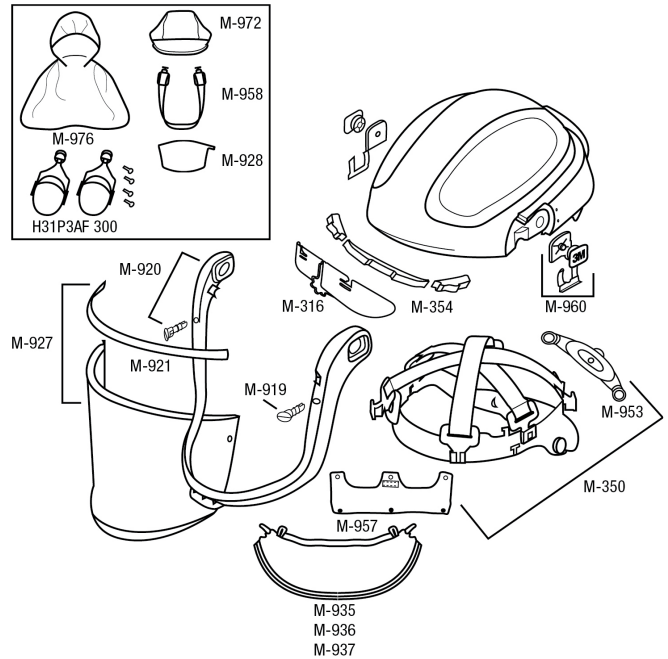
Versaflo™ M-300 Helmet	
Weight	832g (without breathing tube)
Storage Conditions	-30°C to +50°C and <90% humidity
Operating Temperature	-10°C to +55°C and <90% humidity

Ordering Information

3M Code	Model #	Description
XA007707467	M-306	Versaflor™ Helmet with coated visor and comfort faceseal
XA007707475	M-307	Versaflor™ Helmet with coated visor and flame resistant faceseal

Spare Parts & Accessories

3M Code	Model #	Description
70071564218	M-316	Airflow Deflector - 1 per case
70071564226	M-350	Head Suspension - 1 per case
70071564234	M-354	Forehead Seal - 1 per case
70071564309	M-919	Visor Frame Buttons - 10 per case
70071564317	M-920	Visor Frame Assembly - 1 per case
70071564325	M-921	Visor Gasket - 5 per case
UU003029442	M-927	Coated Visor - 5 per case
70071564341	M-928	Peel-Off Visor Covers - 40 per case
70071674074	M-929	Versaflor Shaded peel-off visor
UU003029202	M-935	Standard Faceseal - 5 per case
UU003029418	M-936	Comfort Faceseal - 5 per case
70071564374	M-937	Flame resistant Faceseal - 5 per case
UU003029772	M-956	Size reducing Comfort Pad - 10 per case
XA007705925	M-957	Forehead Comfort Pad - 20 per case
XA007705909	M-958	Chin Strap - 1 per case
70071564390	M-960	Visor Pivot Kit - 1 per case
UU003029434	M-972	Flame resistant head-top cover - 1 per case
UU003029780	M-976	Head, Neck, Shoulder Cover - 1 per case
AT010592841	H31P3AF	Earmuffs for M-Series Head Tops M100 = Class 3 M-300= Class 4
70071564432	BT-926	Flame Resistant Breathing Tube Cover - 1 per case



Ready to use PAPR Kits

3M Code	Model #	Description
AT010587767	902-03-82	Jupiter™ PAPR Kit c/w M-306C Helmet Comfort F/Seal c/w Charger, JTM306C
AT010589631	902-03-94	Jupiter™ PAPR Kit c/w M-307C Helmet Flame Res. F/seal c/w Charger, JTM307C
AT010590530	TRM-306C	TR-300+ PAPR Kit c/w with M-306C Helmet Comfort F/seal c/w Charger
AT010590548	TRM-307C	TR-300+ PAPR Kit c/w with M-307C Helmet Flame Res. F/seal) c/w Charger
AT010620147	TR6M-307	TR-600 PAPR Kit c/w M-307C Helmet Flame Res. F/Seal c/w Charger

Important Notice

To the extent permitted by law, 3M shall not be liable for any loss or damage including any loss of business, loss of profits, or for any indirect, special, incidental or consequential loss or damage arising from reliance upon any information herein provided by 3M. Nothing in this statement will be deemed to exclude or restrict 3M's liability for death or personal injury arising from its negligence.



Available from



3M and Versaflor are trademarks of 3M Company. Please recycle. Printed in Australia. © 3M 2019. All rights reserved. AV011473178